

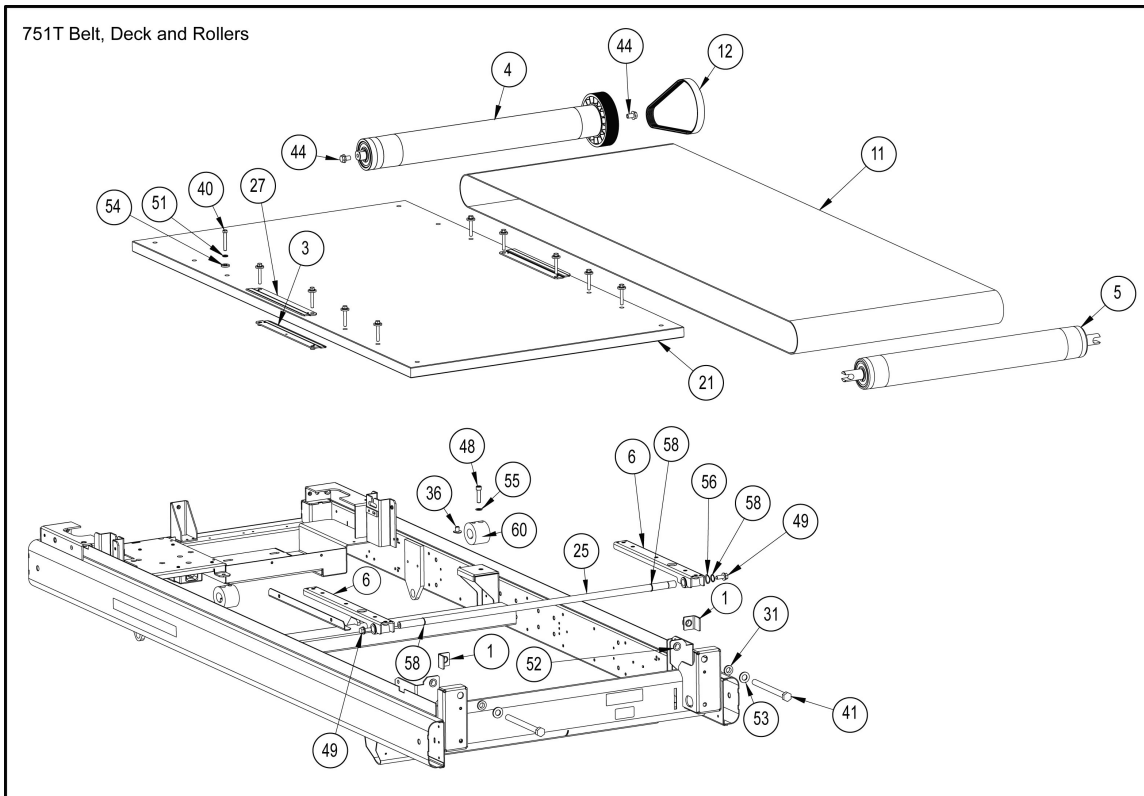


7/16/2013

Part Diagrams

Product Line: Treadmills

Product: 751T: 750T



Bulb #	Part Number	Name	Description	Notes	Price
1	AF-19988	NUT,ROLLER,REAR FRONT,7XXT			\$3.68
3	AF-20206	CLAMP, LOWER, TOP STEP			\$7.35
4	AL-19740	ROLLER ASSY, FRONT			\$252.00
5	AL-19741	ROLLER ASSY, REAR			\$189.00
6	AX-20035	Assembly, Deck Pivot Bracket			\$36.75
11	BD-19889	BELT, RUNNING, 21.88 X 61.75			\$488.25
12	BD-20049	BELT, DRIVE			\$26.25
21	DK-20024	DECK, RUNNING, 29.00 X 53.5			\$480.00
25	FM-20099	MOUNTING SHAFT, ELEVATION MOTOR			\$23.10
27	FS-20031	PLATE, RETAINER, UPPER, TOP STEP			\$6.98
31	HB-16367	BUSHING .50IDX.62ODX.31LG,FLANGED			\$1.89
36	HN-20041	NUT,1-4-20 PROPELLER .305 OD			\$0.63
40	HS-12295	BOLT, 1/4 - 20 X 1.75", HXHD, G5			\$0.53
41	HS-15480	BOLT TAP,1-2-13X6,HXHD,G5			\$4.20

44	HS-16929	BOLT WHIZ LCK,3-8-16X.625,HXHD,G5			\$1.05
47	HS-17937	BOLT,3-8-24X2.75,HXHD CAP,G8,YEL ZN			\$0.42
48	HS-18358	BOLT,5-16-18X.1.25,SCHD CAP,BLK Z			\$0.58
49	HS-19108	SCREW 5-16-18X3-4LG,HXHD,WHIZ-LOC			\$0.79
51	HW-00180	WSHR LOCK SPLIT 1-4,SST,BLK PASSI			\$0.26
52	HW-00590	BUSHING,NYLON,1-2 IN			\$1.84
53	HW-10028	WSHR B 1-2 NARROW ZINC			\$0.53
54	HW-18123	WSHR,.344IDX.75 ODX.125THK,HARDEN			\$0.34
55	HW-20044	WSHR,BELLEVILLE,15X8.2X1.0MM,.5MM			\$1.84
56	HW-20089	WASHER, WAVE, .650 ID X .855			\$0.89
58	HX-13771	RING,RETAIN,5-8" .579 FR.ID			\$0.53
60	HX-19991	BUMPER,SPRING DECK,2.10X2.34X1.55			\$42.00